



**GOLD MEDAL<sup>®</sup> PRODUCTS CO.**

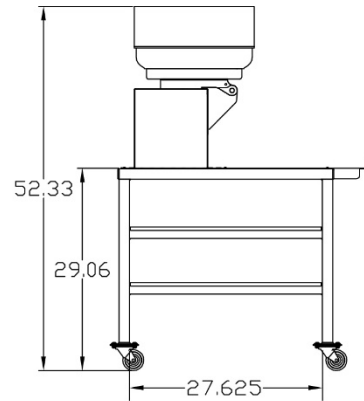
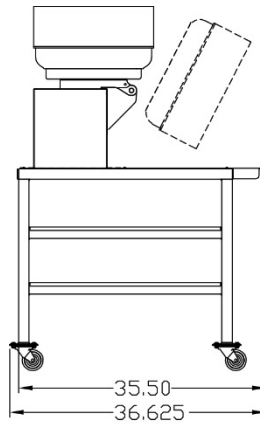
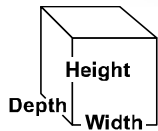
# 30" Pro Plant Config E

Model No. 69100-30-E

## Specifications



**Image shown with Fudge Cooker/Mixer for reference only (items sold separately).**



### Overall Dimensions for the Pro Plant Unit Only:

**Width:** 36.625"

**Depth:** 32.225"

**Height:** 29.06" (floor to top of table)

### Features:

- 30" Pro Plant Table for Fudge Cooker/Mixer 2183 Series (Fudge Unit sold separately). Reference the Spec Sheet for the Fudge Cooker/Mixer for its dimensions and electrical specifications.



### Gold Medal Products Co.

10700 Medallion Drive, Cincinnati, OH 45050  
Phone: (513) 769-7676 1-800-543-0862  
Fax: (513) 769-8500  
gmpopcorn.com info@gmpopcorn.com



Warranty shall be limited to the repair or replacement of any defective part for a period of six (6) months from the date of sale to the Original purchaser with regard to labor and two (2) years with regard to parts and does not cover damage to the equipment caused by accident, alteration, improper use, voltage, abuse, or failure to follow instructions. See official warranty for complete details.