

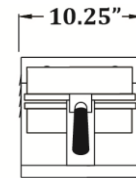


GOLD MEDAL® PRODUCTS CO.

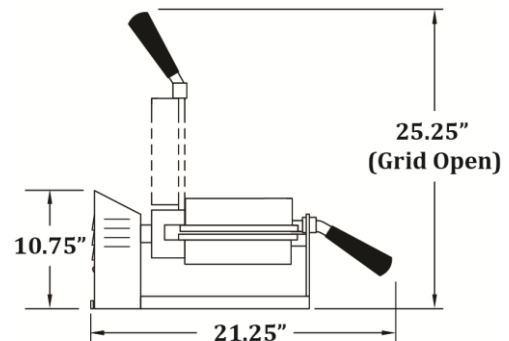
Giant Cone Baker w/Electronic Control

Model No. 5020ET

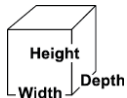
Specifications



Operator End View



Side View



Overall Dimensions:

Width: 10.25"

Depth: 21.25"

Height: 10.75"

(Dimensions w/grids in closed position.)

Features:

- Electronic Control
- Non-stick Coated Grids

Electrical - Domestic

120V

1000 WATTS 60 Hz

(NEMA 5-15P) Plug

Plug Type:



NEMA 5-15P

Agency Approvals:



Gold Medal Products Co.

10700 Medallion Drive, Cincinnati, OH 45241

Ph: (513) 769-7676, (800) 543-0862; Fax: (513) 769-8500

gmpopcorn.com info@gmpopcorn.com

Warranty shall be limited to the repair or replacement of any defective part for a period of six (6) months from the date of sale to the original purchaser with regard to labor and two (2) years with regard to parts and does not cover damage to the equipment caused by accident, alteration, improper use, voltage, abuse, or failure to follow instructions. See official warranty for complete details.