

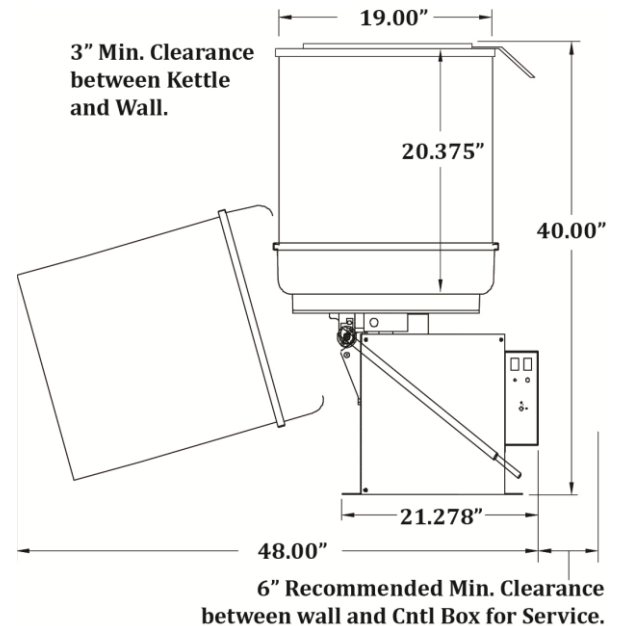


GOLD MEDAL® PRODUCTS CO.

LH Mark 10 - Digital w/Special Handle

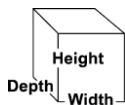
Model No. 2410-00-001

Specifications



LH Mark 10 shown on Base for general reference only (items sold separately).

General RH Unit shown above for dim. reference.



Overall Dimensions:

- Width:** 48"
- Depth:** 20.5"
- Height:** 40"

Dimensions are for Corn Treat Unit only. Reference drawing shown for additional dimensions and clearances required.

Electrical - Domestic

- 120/208 OR 120/240V
- 5400 WATTS 60 Hz
- (NEMA L14-30P) Plug

Unit designed to operate on single phase, 30 AMP, 4 wire supply (2 Hot, 1 Neutral, 1 Ground). Wall receptacle is supplied with unit.

Features:

- 10 Gallon Capacity (3-4 batches/hour)
- Left Hand Dump
- Electronic Temperature Control with Digital Display
- Cast Aluminum Kettle with Stainless Steel Drum
- Special Handle for use with a short base. (2436-001 Short Base is used with adjustable height Karmel Kool Table 2169-00-100, all items sold separately).

Plug Type:



Agency Approvals:



Gold Medal Products Co.
10700 Medallion Drive, Cincinnati, OH 45241

Ph: (513) 769-7676, (800) 543-0862; Fax: (513) 769-8500
gmpopcorn.com info@gmpopcorn.com