

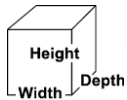
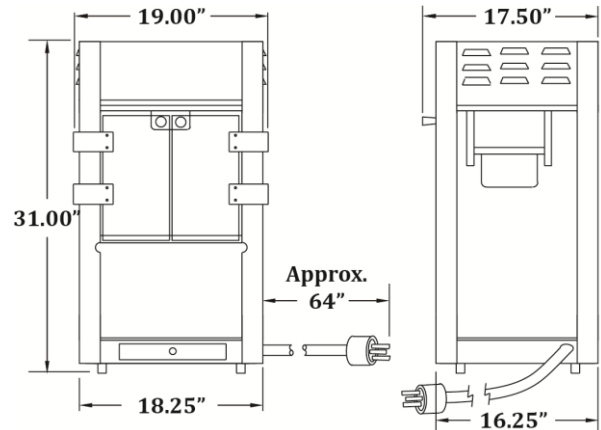


GOLD MEDAL® PRODUCTS CO.

Econo 8 Popcorn Machine

Model No. 2388

Specifications



Overall Dimensions:

Width: 19"
Depth: 17.5"
Height: 31"

Features:

- 8 oz. Stainless Steel Kettle

Electrical - Domestic

120V
1525 WATTS 60 Hz
(NEMA 5-15P) Plug

Plug Type:



NEMA 5-15P

Agency Approvals:



Gold Medal Products Co.
10700 Medallion Drive, Cincinnati, OH 45241
Ph: (513) 769-7676, (800) 543-0862; Fax: (513) 769-8500
gmpopcorn.com info@gmpopcorn.com

Warranty shall be limited to the repair or replacement of any defective part for a period of six (6) months from the date of sale to the original purchaser with regard to labor and two (2) years with regard to parts and does not cover damage to the equipment caused by accident, alteration, improper use, voltage, abuse, or failure to follow instructions. See official warranty for complete details.