

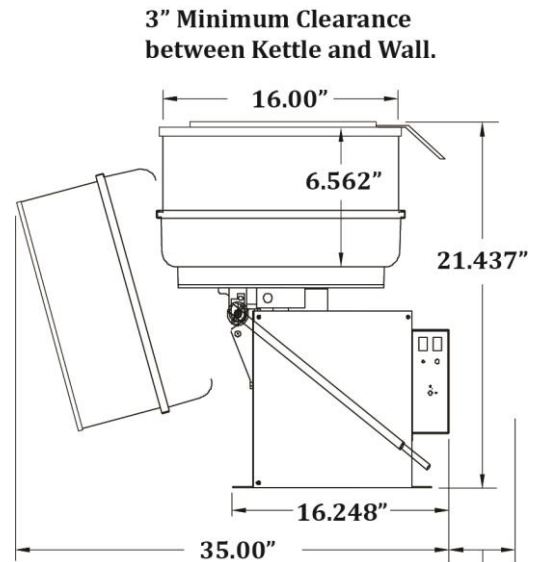


**GOLD MEDAL® PRODUCTS CO.**

# Pralinator

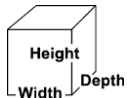
Model No. 2181ER

## Specifications



6" Recommended Min. Clearance between wall and Cntl Box for Service.

General RH Unit shown above for dim. reference.



### Overall Dimensions:

**Width:** 35"  
**Depth:** 17.25"  
**Height:** 21.437"

Reference drawing shown for additional dimensions and clearances required.

### Electrical - Domestic

120/208 OR 120/240V  
3408 WATTS 60 Hz  
(NEMA L14-20P) Plug

Unit designed to operate on single phase, 20 AMP, 4 wire supply (2 Hot, 1 Neutral, 1 Ground). Wall receptacle is supplied with unit.

### Features:

- Yields 4 to 4.5 lbs. finished product per batch
- Right Hand Dump
- Electronic Temperature Control
- Cast Aluminum Kettle with Stainless Steel Drum

### Plug Type:



### Agency Approvals:



**Gold Medal Products Co.**  
10700 Medallion Drive, Cincinnati, OH 45241  
Ph: (513) 769-7676, (800) 543-0862; Fax: (513) 769-8500  
gmpopcorn.com info@gmpopcorn.com

Warranty shall be limited to the repair or replacement of any defective part for a period of six (6) months from the date of sale to the original purchaser with regard to labor and two (2) years with regard to parts and does not cover damage to the equipment caused by accident, alteration, improper use, voltage, abuse, or failure to follow instructions. See official warranty for complete details.