

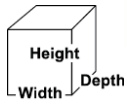
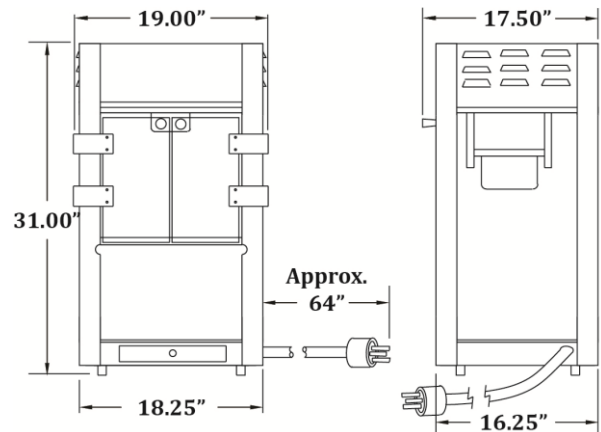


**GOLD MEDAL® PRODUCTS CO.**

# Sixty Special Popper

Model No. 2085

## Specifications



### Overall Dimensions:

**Width:** 19"  
**Depth:** 17.5"  
**Height:** 31"

### Features:

- 6 oz. Stainless Steel Kettle

### Electrical - Domestic

120V  
1220 WATTS 60 Hz  
(NEMA 5-15P) Plug

### Plug Type:



NEMA 5-15P

### Agency Approvals:



**Gold Medal Products Co.**  
10700 Medallion Drive, Cincinnati, OH 45241  
Ph: (513) 769-7676, (800) 543-0862; Fax: (513) 769-8500  
gmpopcorn.com info@gmpopcorn.com

Warranty shall be limited to the repair or replacement of any defective part for a period of six (6) months from the date of sale to the original purchaser with regard to labor and two (2) years with regard to parts and does not cover damage to the equipment caused by accident, alteration, improper use, voltage, abuse, or failure to follow instructions. See official warranty for complete details.